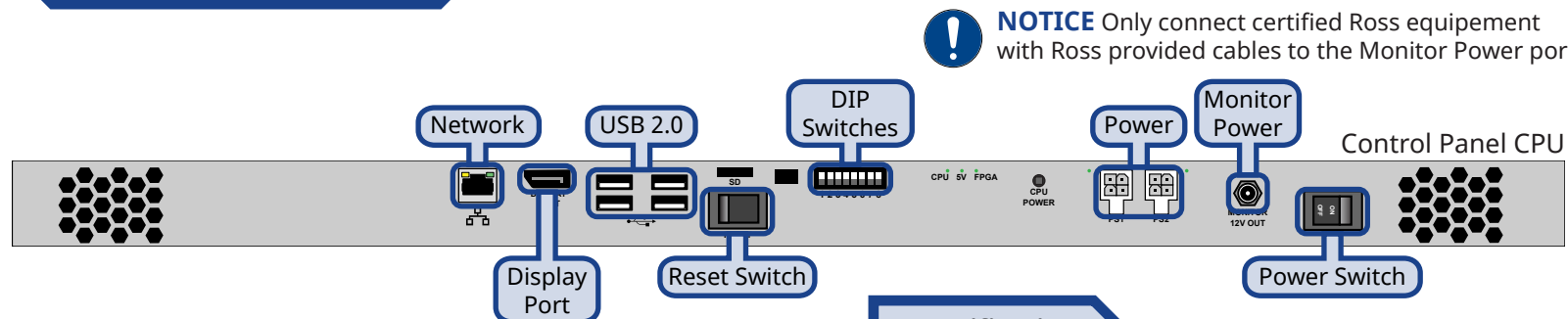


Panel Ports and Connectors



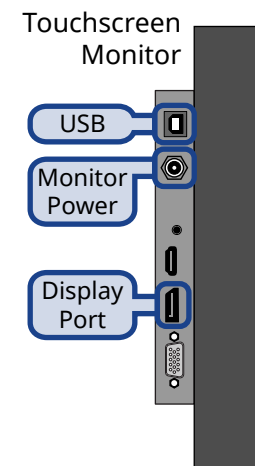
Notes:

- There is an additional USB 3.0 port on the side of the backslash on some panels. The ports on the back of the panel are all USB 2.0.
- The ports on the TD1C are in a different position, but have the same function.

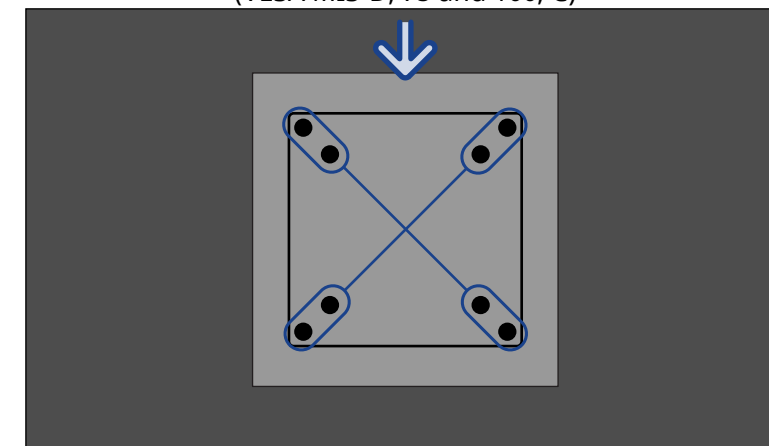
Specifications

Input Voltages		Power Consumption			
All	100 - 120V~	TD1C	50W	3.33A	15V
	220 - 240V~	TD1	73W	4.87A	15V
	47-63Hz	TD2	85W	5.67A	15V
		TD2S	107W	7.13A	15V
		TD3S	165W	11A	15V

Monitor Ports and Connectors

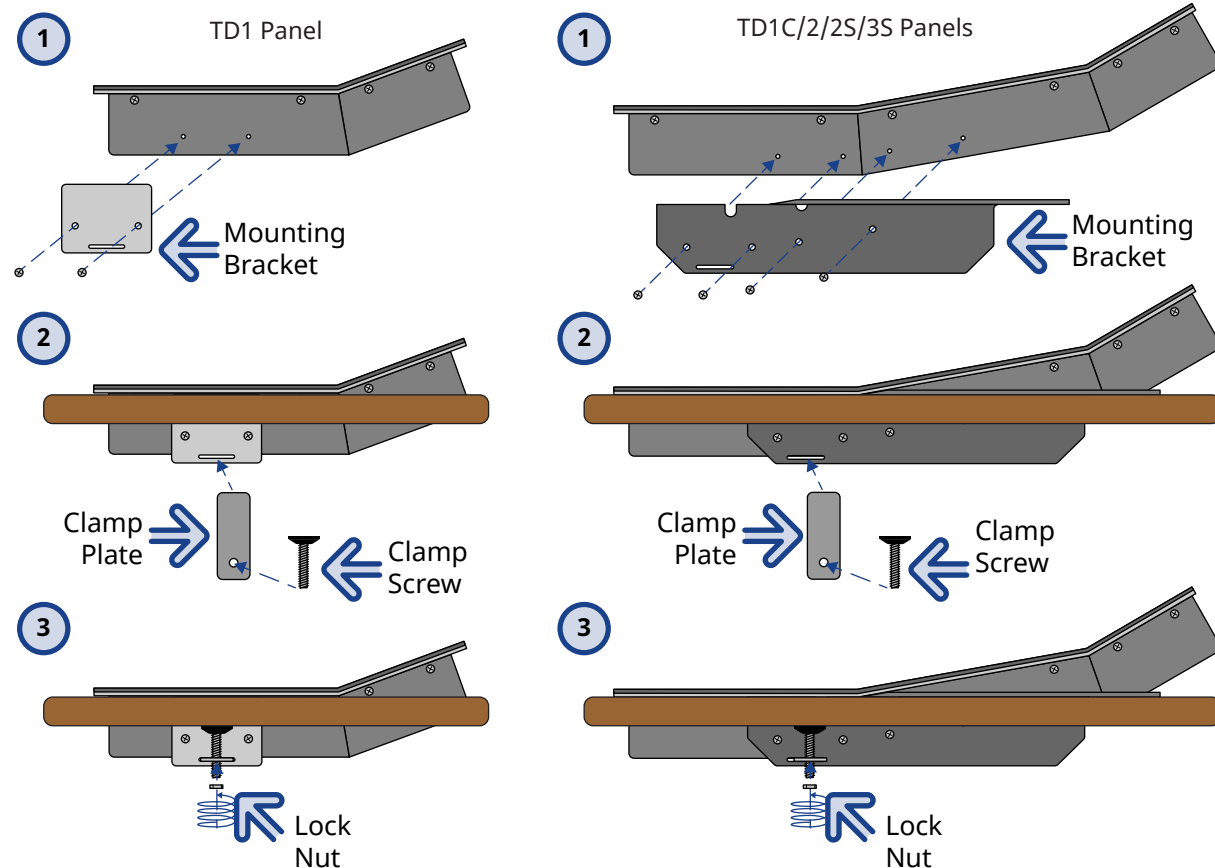


VESA-100 Mount (VESA MIS-D, 75 and 100, C)



Desk Mounting

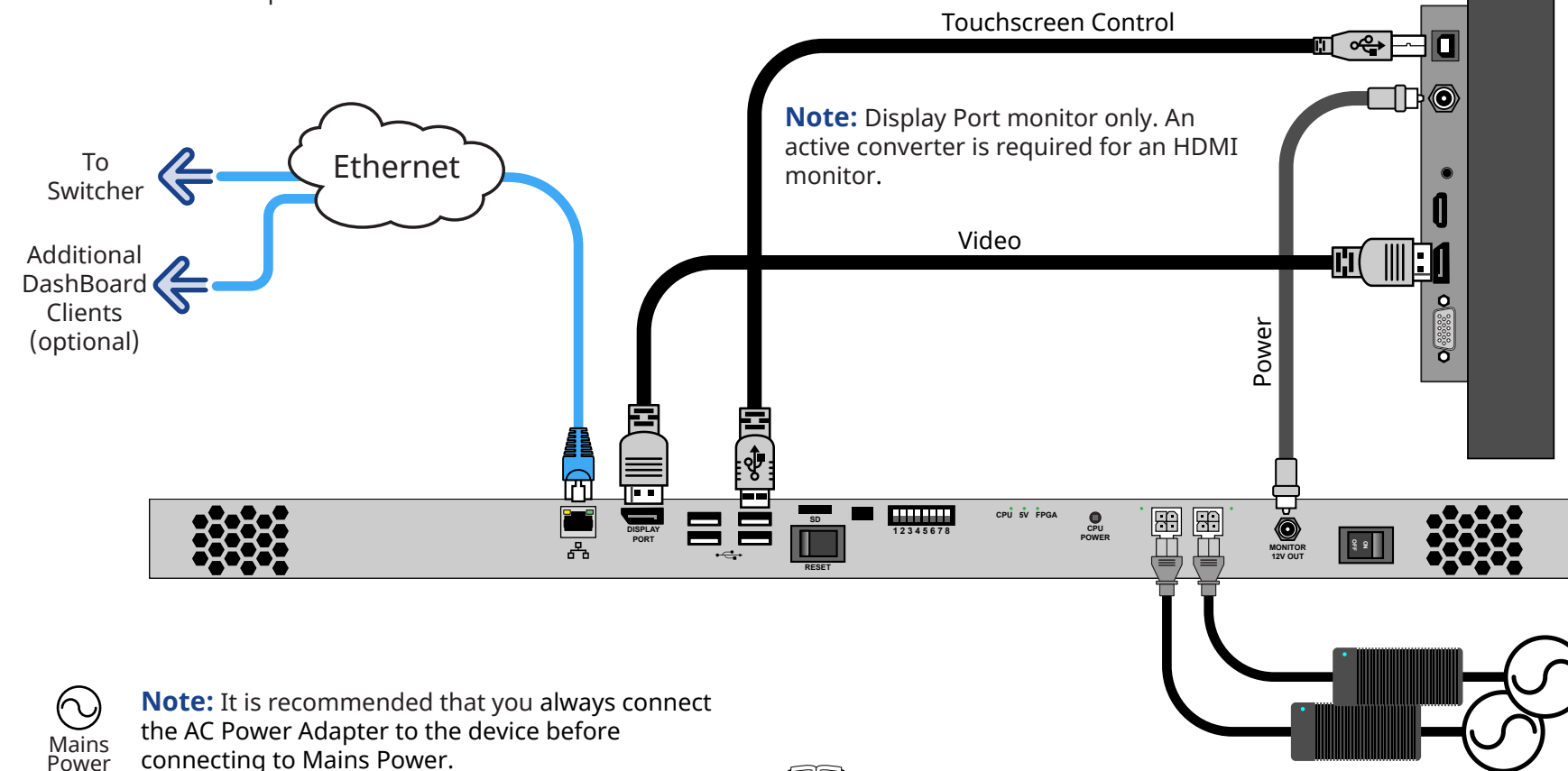
- Note:** The Desk Mounting option is required to properly secure the panel to a desk.
- Note:** You may have to remove the legs from the control panel to mount it in a desk.



Cabling

- CAUTION!** Only use the cable provided to connect power to your Touchscreen display from the 12V Monitor port.

- NOTICE** The Touchscreen *must* be connected to the control panel before you power up the control panel.



- Note:** It is recommended that you always connect the AC Power Adapter to the device before connecting to Mains Power.

Having a problem? Call our free, 24-hour technical support hotline to speak with a live product specialist located right here in our facility.

Tel: (+1) 613 • 652 • 4886
Email: techsupport@rossvideo.com

