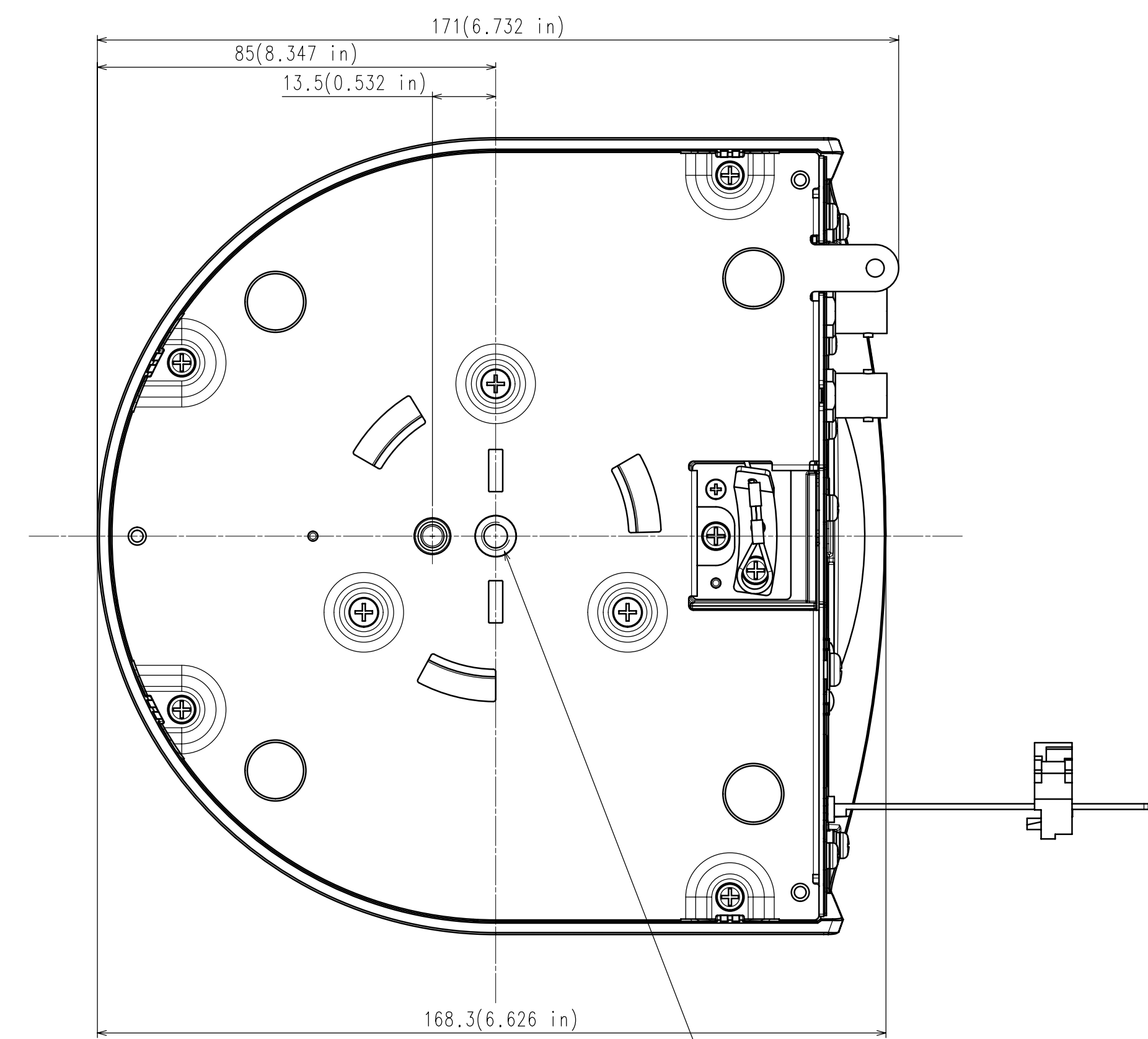
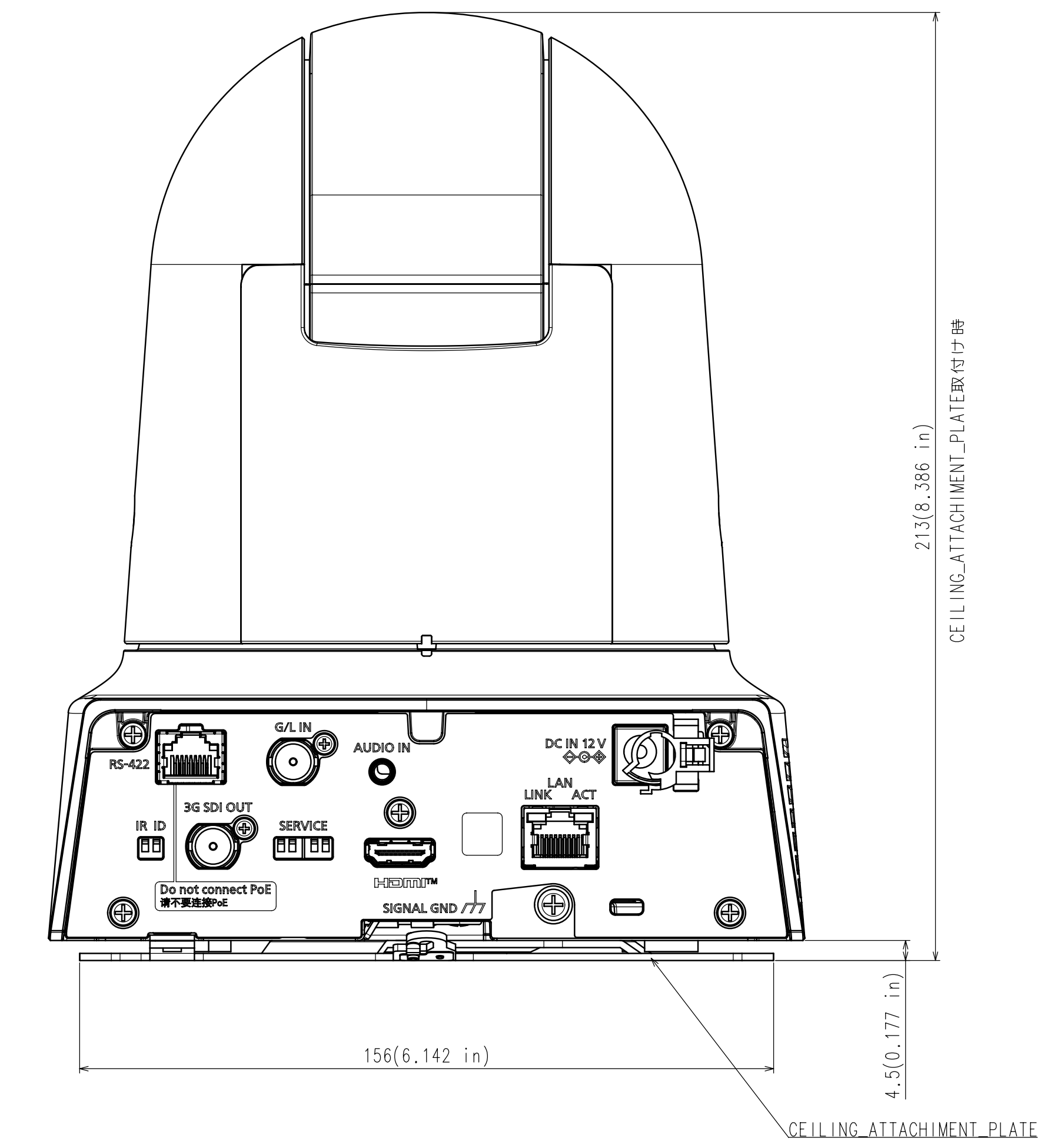
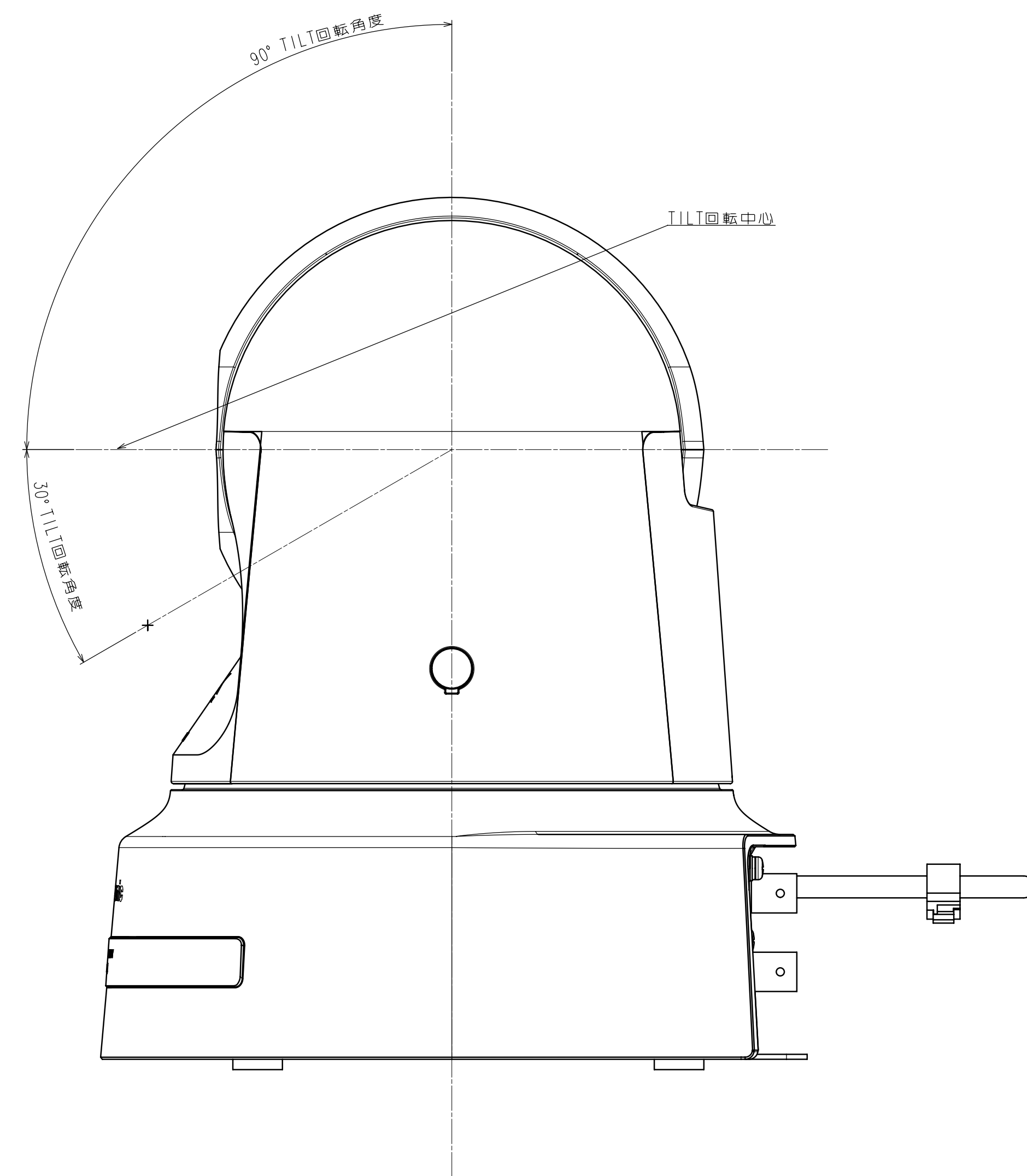
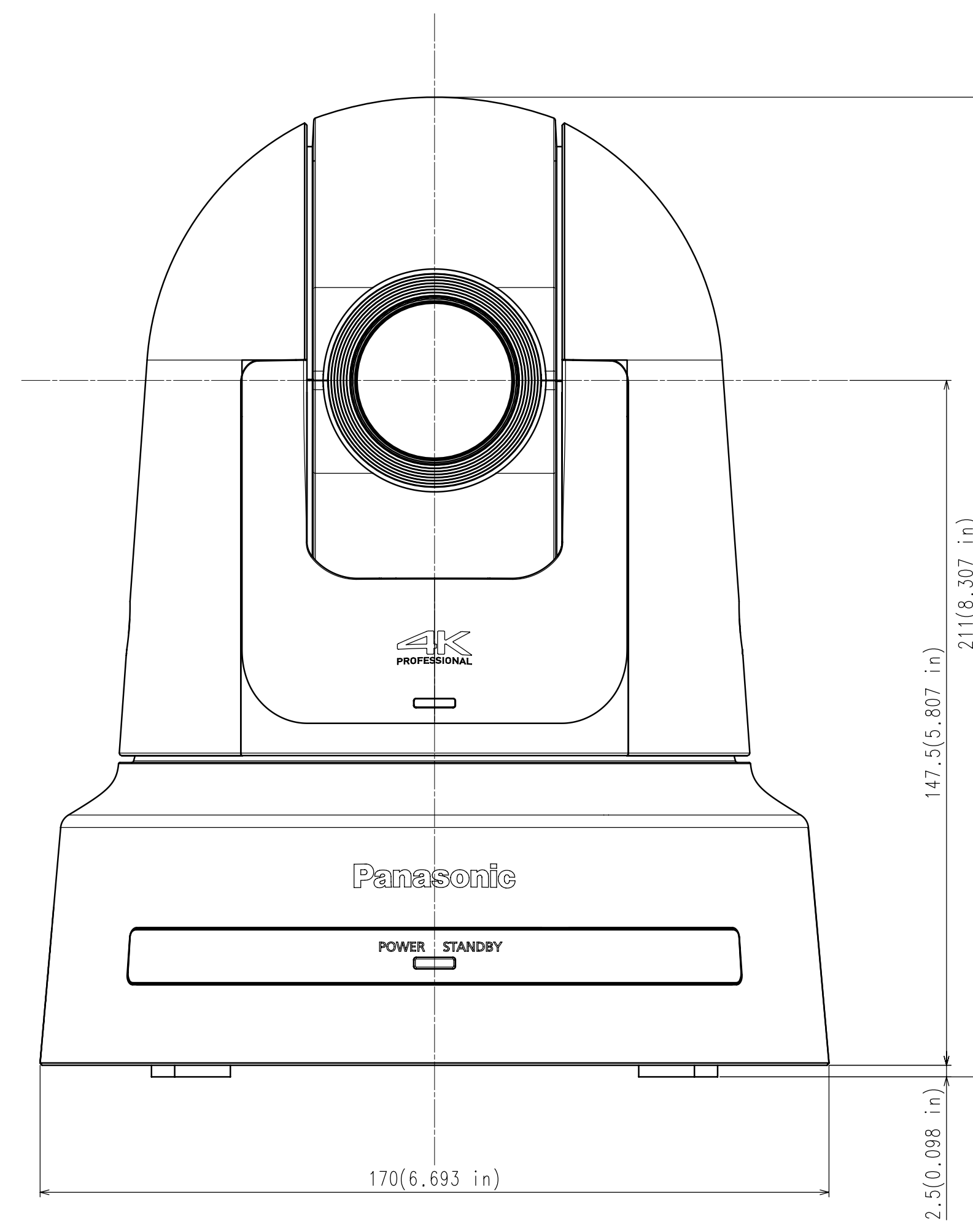
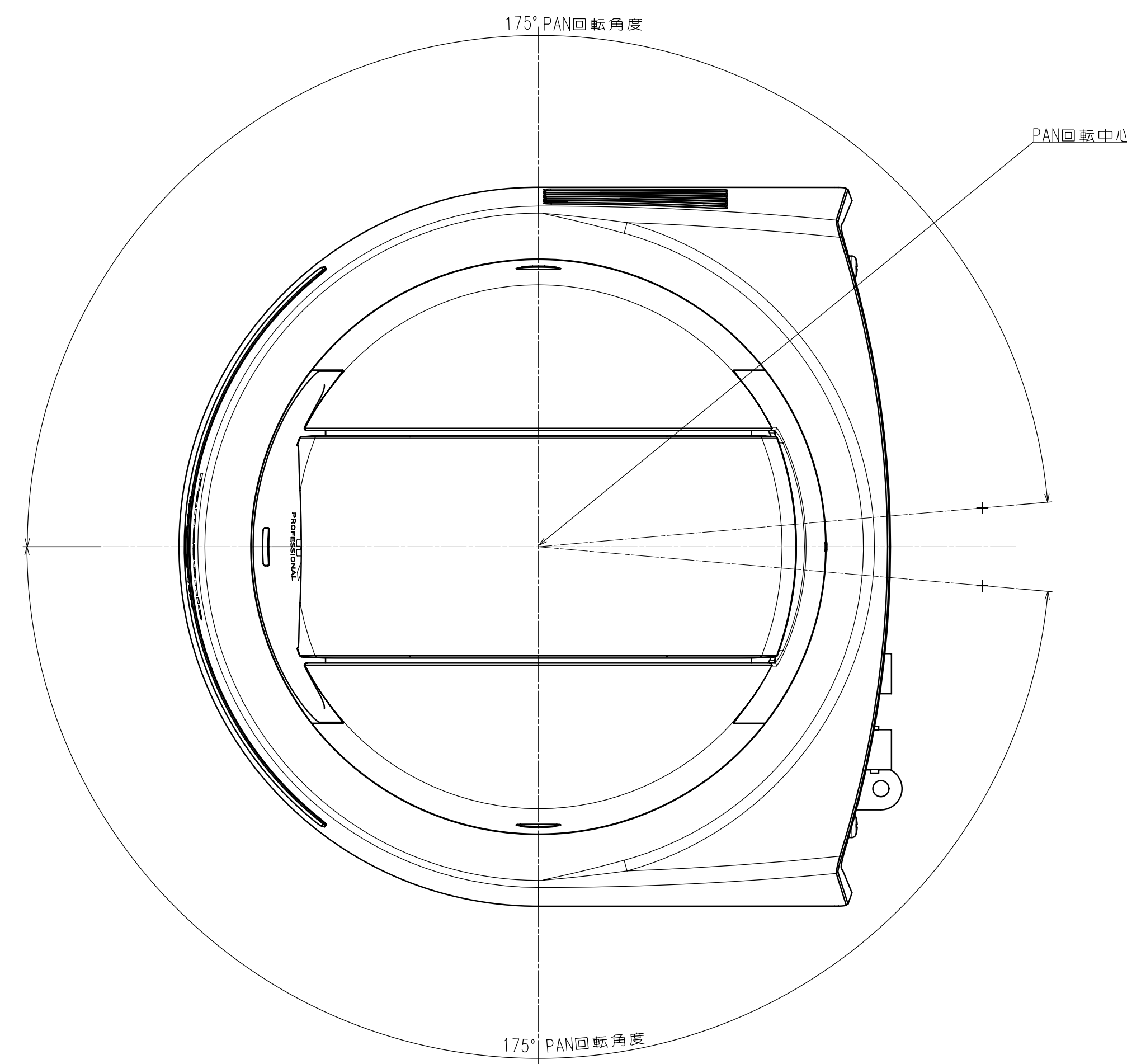


AW-UE80W/K

单位 : mm / Unit : mm



Threaded hole
(Screw diameter: 1/4-20UNC, ISO(6.35mm))
ねじ穴径最大7(0.246 in)Max

